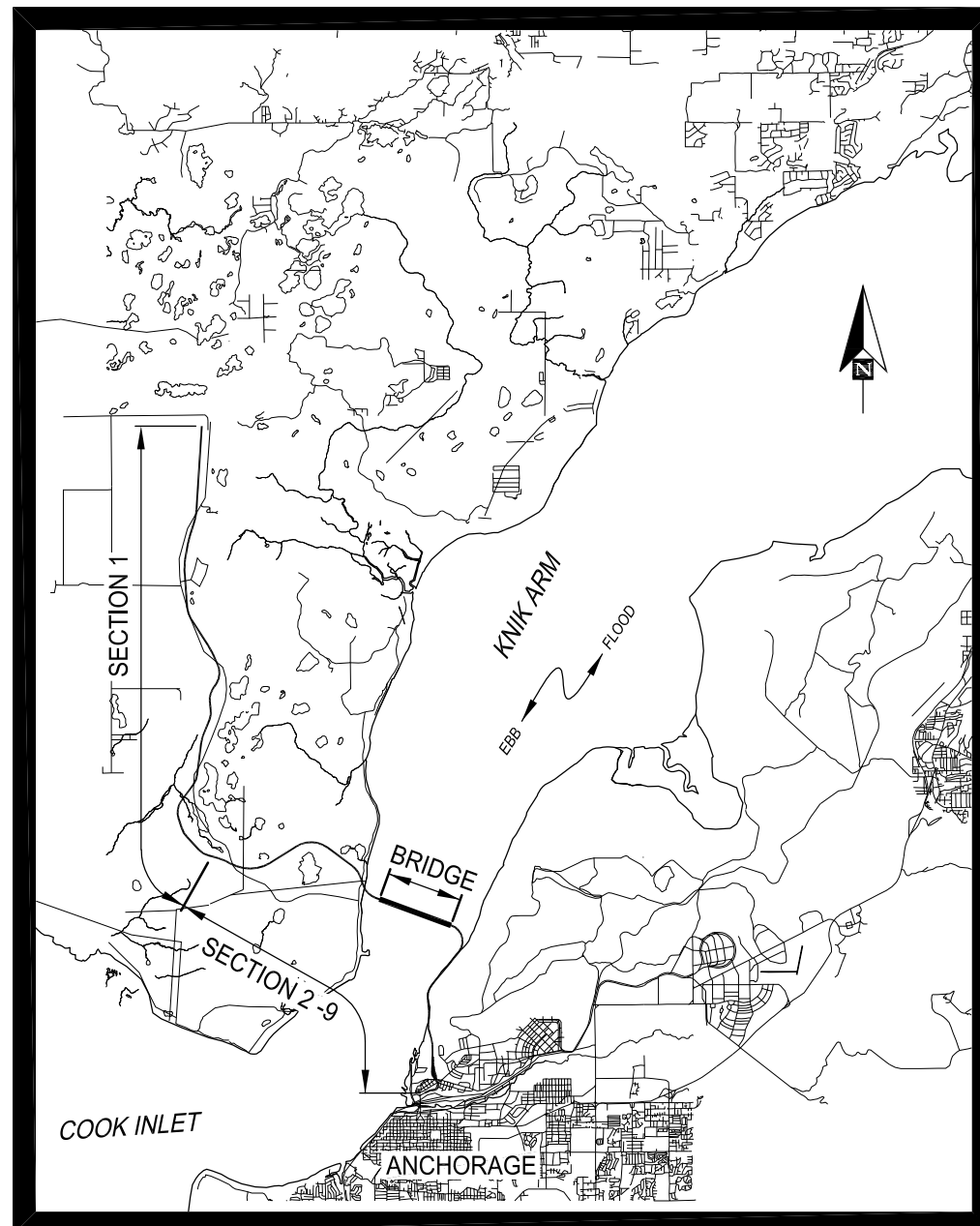
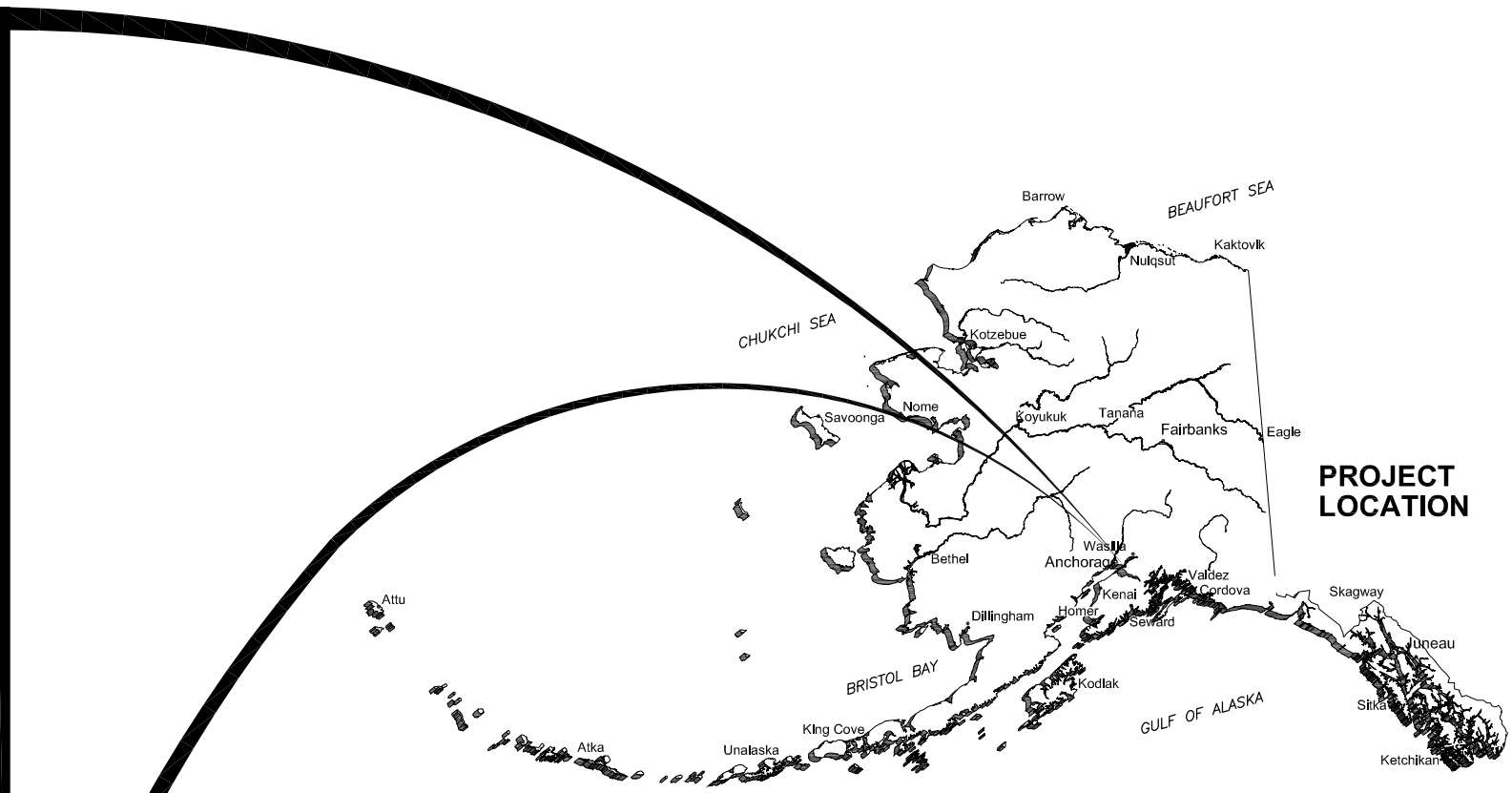


# KNIK ARM CROSSING - BRIDGE

## DRILLED SHAFT PIER CONCEPT



**KNIK ARM CROSSING VICINITY**



**STATE OF ALASKA**

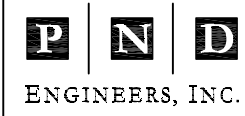
**SHEET INDEX**

TITLE SHEET & INDEX	0
PLAN AND PROFILE	1
PIER TYPICAL SECTIONS & ELEVATION	2

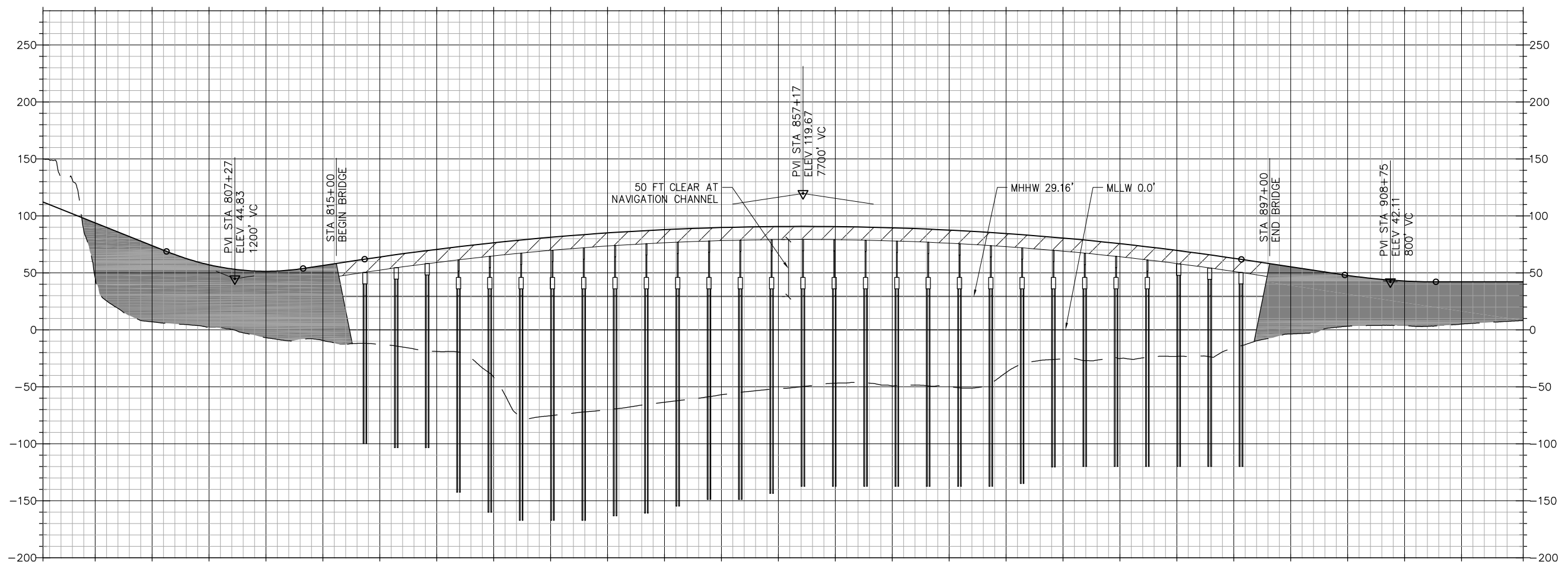
SUMMARY		2010	2030
SECTION	LENGTH	ADT	ADT
BRIDGE	8200'	5,100	46,700

J:\2011\11013 KNIK Arm Crossing\E\_Drawings\4\_Structural\Bridges\Concept for RFD\00-COVER.DWG, 1, 7/15/2011, 4:30:39 PM, Scott Abbott, 1:2

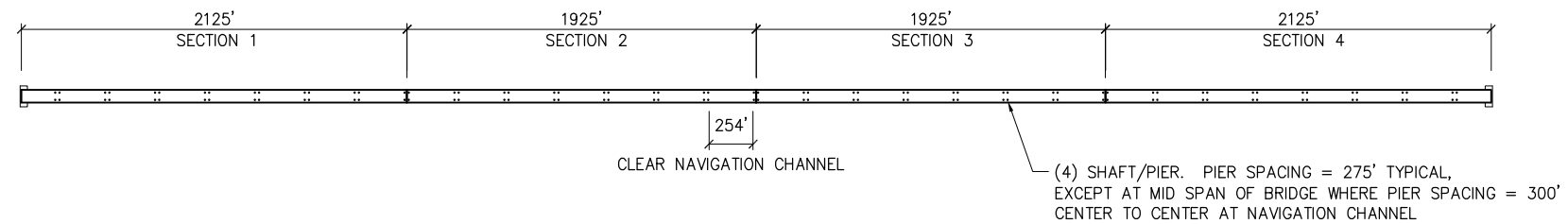
1506 West 36th Avenue  
 Anchorage, Alaska 99503  
 Phone: 907.561.1011  
 Fax: 907.563.4220  
 www.pndengineers.com



J:\2011\11013 Knik Arm Crossing\Drawings\4. Structural\Bridges\Concept for RFO\Drilled Shaft Hammerhead Pier Profiles.dwg, Layout1, 7/15/2011 4:30:49 PM, Scott Abbott, 12

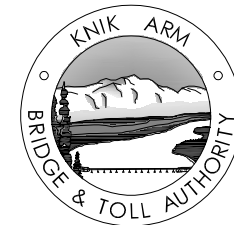


**DRILLED SHAFT - BRIDGE PROFILE**



**DRILLED SHAFT - BRIDGE PLAN**

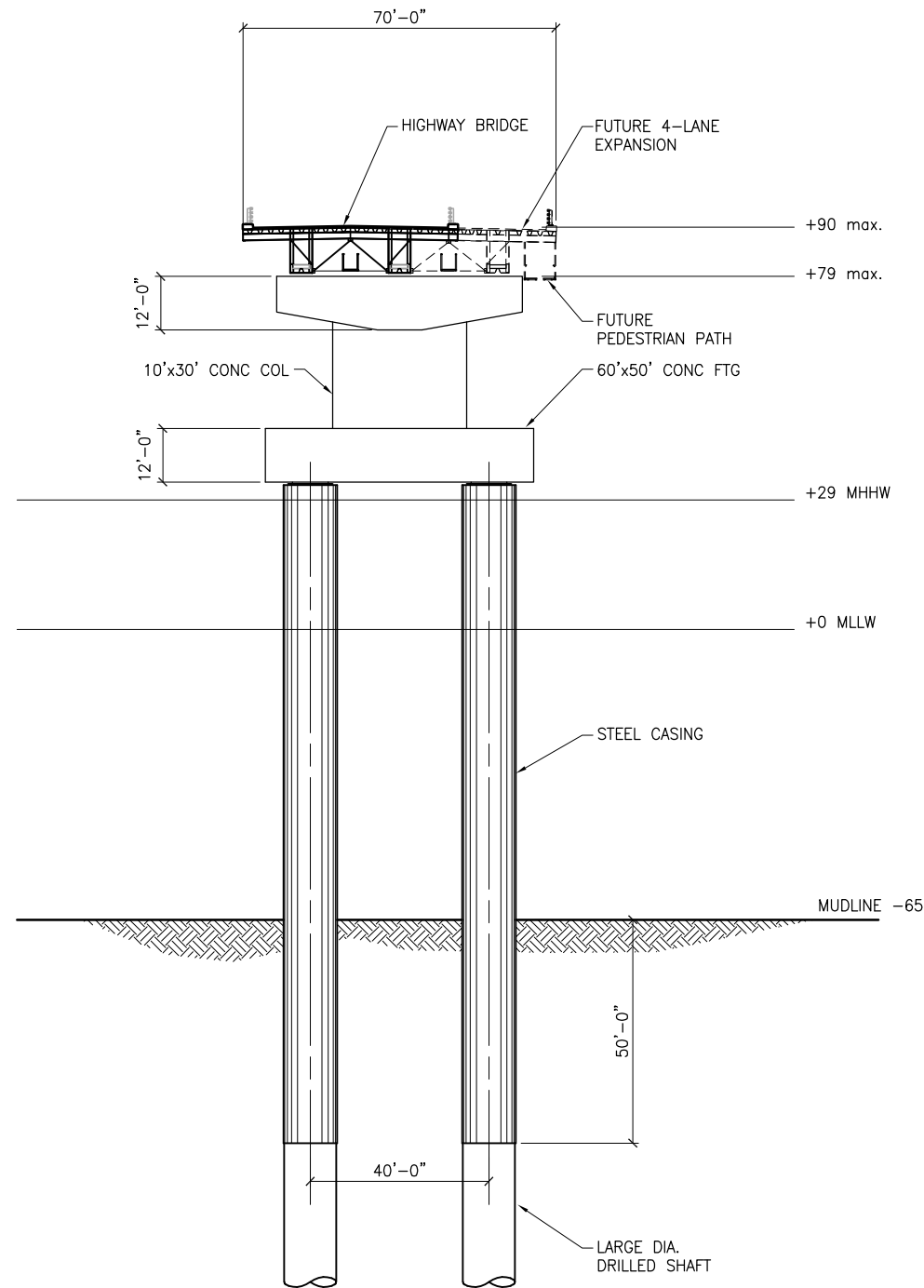
KNIK ARM BRIDGE AND TOLL AUTHORITY  
Suite 1850, 550 West 7th Avenue  
Anchorage, Alaska 99501



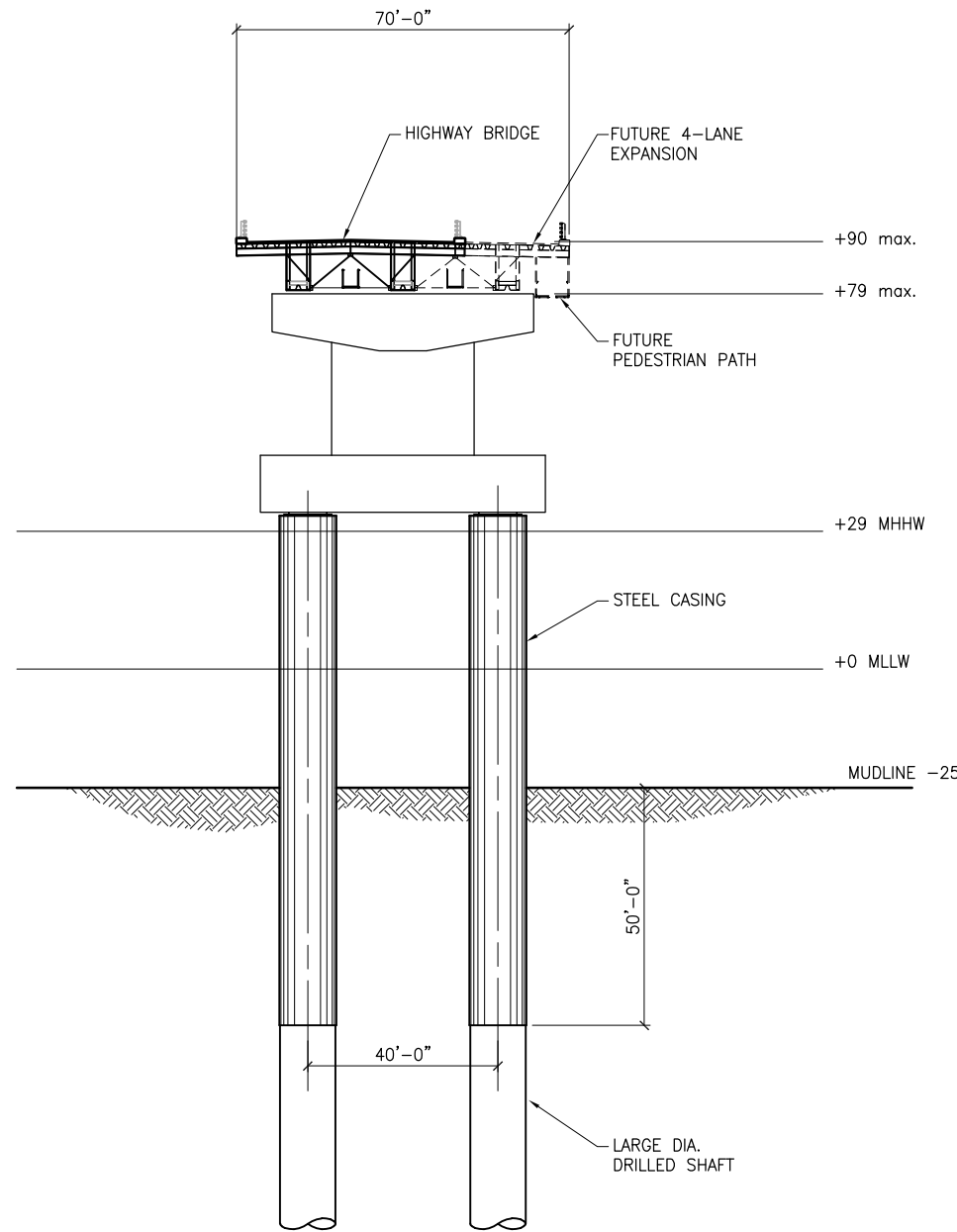
**P | N | D**  
ENGINEERS, INC.

PROJECT:		<b>KNIK ARM CROSSING 8,200 FT BRIDGE</b>	
TITLE:		PLAN AND PROFILE	
DESIGNED BY:	CK	DATE:	7/15/11
CHECKED BY:		REVISION:	
		PROJECT NO:	111013
			SHEET NO: <b>1</b> OF <b>2</b>

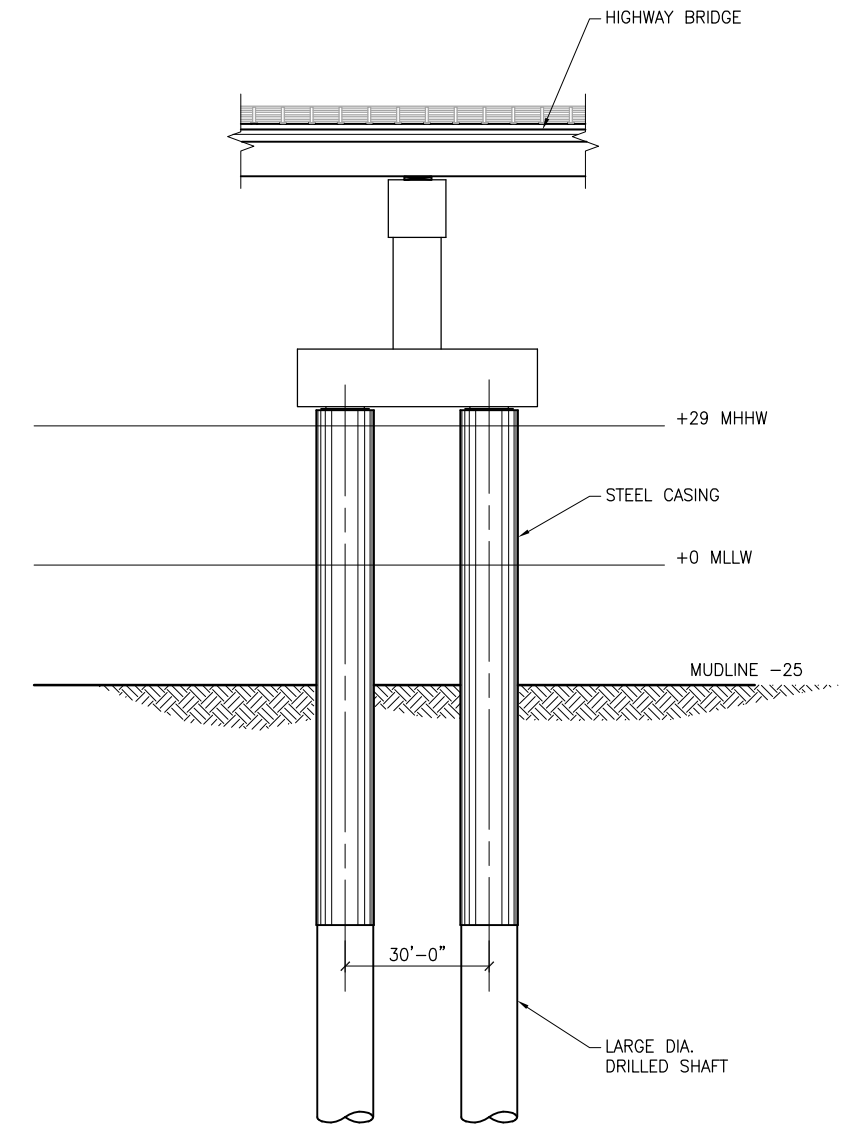
J:\2011\11013 KNIK Arm Crossing\E\_Drawings\4\_Structural\Bridges\Concept for RFD\Drilled Shaft Pier Concept Sections.dwg, \$3, 7/15/2011 4:30:56 PM, Scott Abbott, 1/2



TYPICAL PIER, CENTRAL CHANNEL

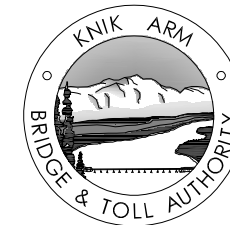


TYPICAL PIER, EAST & WEST BENCHES



TYPICAL PIER ELEVATION PARALLEL TO BRIDGE

KNIK ARM BRIDGE AND TOLL AUTHORITY  
Suite 1850, 550 West 7th Avenue  
Anchorage, Alaska 99501



**P | N | D**  
ENGINEERS, INC.

PROJECT:		<b>KNIK ARM CROSSING 8,200 FT BRIDGE</b>	
TITLE:		PIER TYPICAL SECTIONS & ELEVATION	
DESIGNED BY:	CK	DATE:	7/15/11
CHECKED BY:		REVISION:	
		PROJECT NO.:	111013
			SHEET NO: <b>2</b> OF 2